

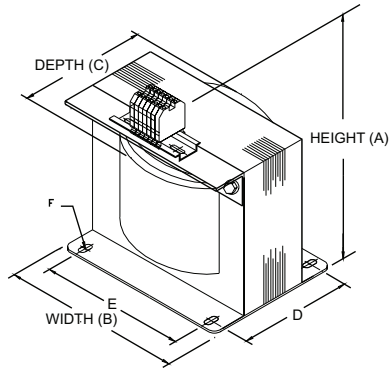
Features



- All Copper Windings
- IEC type finger safe terminals
- 220°C Insulation Systems
- 50/60 Hz
- Electrostatic Shield, (earth metal screen)
- Color coded protective earth (PE) terminal
- Nonstandard designs are available by consulting the factory or your Dongan® Representative

ES Series Voltage Combinations		
Suffix	Primary	Secondary
.326	380/400/416/440/460/480/575	110/115/120
.366	380/416/480	120/24 (24 Volt load is limited to 20% of rated kVA maximum)
.376	380/400/416	110/220 115/230 120/240
.386	220/380/400/416	95/115/120

VA	Catalog Number	Catalog Number	Catalog Number	Catalog Number	Dimensions (Inches/mm)			Mounting Dimensions (Inches/mm)			Weight
					Height A	Width B	Depth C	D	E	F	
150	ES-10100.326	ES-10100.366	ES-10100.376	ES-10100.386	5.31/135	4.50/114	4.00/102	2.75/70	3.75/95	.203x.375 (5.2 x 9.5)	8
250	ES-10130.326	ES-10130.366	ES-10130.376	ES-10130.386	6.31/160	4.50/114	5.25/133	3.25/83	3.75/95	.312 x .625(7.9 x 15.9)	10
375	ES-10150.326	ES-10150.366	ES-10150.376	ES-10150.386	6.31/160	4.50/114	6.00/152	4.50/114	3.75/95	.312 x .625(7.9 x 15.9)	13
500	ES-10170.326	ES-10170.366	ES-10170.376	ES-10170.386	6.88/175	5.25/133	5.25/133	3.25/83	4.38/111	.312 x .625(7.9 x 15.9)	15
750	ES-10190.326	ES-10190.366	ES-10190.376	ES-10190.386	7.81/198	6.38/162	6.00/152	4.00/102	5.31/135	.312 x .625(7.9 x 15.9)	26
1000	ES-10200.326	ES-10200.366	ES-10200.376	ES-10200.386	7.81/198	6.38/162	6.50/165	4.50/114	5.31/135	.312 x .625(7.9 x 15.9)	30
1500	ES-10210.326	ES-10210.366	ES-10210.376	ES-10210.386	8.81/224	7.50/191	6.00/152	4.00/102	6.00/152	.312 x .625(7.9 x 15.9)	36
2000	ES-10230.326	ES-10230.366	ES-10230.376	ES-10230.386	8.81/224	7.50/191	7.00/178	5.00/127	6.00/152	.312 x .625(7.9 x 15.9)	50
3000	ES-10250.326		ES-10250.376	ES-10250.386	8.88/226	7.50/191	8.00/203	6.00/152	6.00/152	.312 x .625(7.9 x 15.9)	60
5000	ES-10300.326		ES-10300.376	ES-10300.386	10.31/262	9.00/229	9.00/229	6.50/165	6.50/165	.312 x .625(7.9 x 15.9)	90



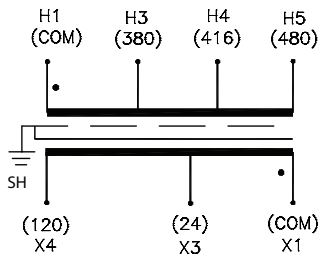
Series ES
Style of terminals may vary depending on availability.

A Certificate of Compliance is available by contacting your Dongan® Representative or the factory Customer Service Department.

Dimensions and weights may change. Consult factory for Certified Drawings.

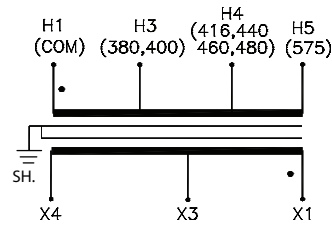
ES Series

Suffix - .366			
Primary		Secondary	
Voltage	Connect Incoming Lines To	Secondary Voltage	Connect Load To
380	H1 & H3	24*	X1 & X3
416	H1 & H4	120	X1 & X4
480	H1 & H5		

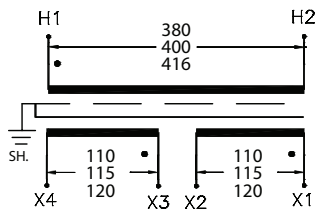


*Maximum permissible load on the 24 volt secondary is limited to 20% of the transformer's kVA. When 24 and 120 volts are used simultaneously, the total of both loads must not exceed the total transformer kVA.

Suffix - .326			
Primary		Secondary	
Voltage	Connect Incoming Lines To	Secondary Voltage	Connect Load To
380	H1 & H3	110	X1 & X3
400	H1 & H3	115	X1 & X3
416	H1 & H4	115	X1 & X4
440	H1 & H4	120	X1 & X4
460	H1 & H4	115	X1 & X3
480	H1 & H4	120	X1 & X3
575	H1 & H5	120	X1 & X4



Suffix - .376				
Primary		Secondary		
Voltage	Connect Incoming Lines To	Secondary Voltage	Interconnect	Connect Load To
380	H1 & H2	110	X1 to X3	X1 & X4
400	H1 & H2	115	& X2 to X4	X1 & X4
416	H1 & H2	120		X1 & X4
380	H1 & H2	220		X1 & X4
400	H1 & H2	230	X2 to X3	X1 & X4
416	H1 & H2	240		X1 & X4
416	H1 & H2	120/240	X2 to X3	X1 & X2/X3 & X4



Suffix - .386			
Primary		Secondary	
Voltage	Connect Incoming Lines To	Secondary Voltage	Connect Load To
220	H1 & H3	95	X1 & X3
380	H1 & H4	115	X1 & X4
400	H1 & H5	120	X1 & X5
416	H1 & H6		

